

Class Bead Cabinets

A.M.S. Equipment Sales

267 Allen Street Hampden, MA 01036
Phone 1-413-525-8292 Fax 1-413-566-0035

— THE MAGNUM 4436 —

Magnum Series will handle the big jobs in a very time efficient working cycle. Available in a 44X36 Cabinet or the 55X42 Model. The 400 CFM or 600 CFM separator will keep the cabinet visually clear while separating and managing the reusable media. Filter cabinets are available with filter bags or reverse pulse air cartridge systems. Time is money the Magnum series will get the job done fast while removing baked in carbon deposits, rust, scale and paint extremely fast. These machines are popular in Industrial cleaning applications as well, an easy task for machines prepared for used engine components that deal with rust, carbon and paint.

Suction Blast and Pressure blasting cabinet are offered in a wide range of sizes. These machines have earned a great reputation in Engine Rebuilding Shops, Parts Re-Manufacturing and Industry for over 25 years.



Standard:

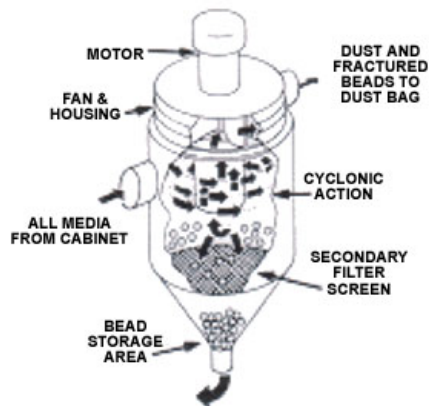
400 CFM Reclaimer

Options:

700 CFM Reclaimer

DC10 Filter Cabinet

30 Inch Diameter Turntable.



Reclaimer separates the glass beads. Returns only the round beads to the system. Exhausts dirt, broken beads, etc. to the dust bag.

Technical Specifications

1. **Reclaim:** High performance 400-CFM Cyclone Type.
2. **Light Box:** Two (2) tube 24" Fluorescent light, ON-OFF control switch for light and reclaimer.
3. **Viewing Window:** Large 12" x 20" tempered glass. Provides long life and minimizes static build-up of dust.
4. **Mylar with Dispenser:** Mylar lens material shown with Lens dispenser.
5. **Door Cam Latch:** Adjustable door latch.
6. **Easy Change Glove:** Snap in cloth lined vinyl gloves, 7" diameter x 26" long,
7. **Air Regulator and Gauge:** Allows adjustable air pressure to gun for proper media flow to provide finish desired.
8. **Cabinet Sump Clean Out Access Door:** Allows recovery of small parts that may fall from blast cabinet.
9. **Foot Blast Control:** Left or right foot blast operation.
10. **Cabinet Doors:** Full opening double walled access doors.
11. **Motor:** 1/2 HP, 120 Volts, Single Phase, 11 Amp, 3450 RPM.
12. **Dust Collector:** Large Dust Bag with bottom zipper.
13. **Media Fill Door:** Add media to machine and remove debris screen basket inside reclaimer
14. **Sump Return Hose:** 4" flexible duct hose from machine sump outlet to reclaimer inlet.
15. **Media Flow Valve:** Universal feed valve allowing 2" drain plug outlet for easy clean-out.
16. **Media Hose:** 1/2" media line hose from reclaimer media valve to bottom fitting on blast gun.
17. **Compressed Air Inlet:** 1/2" coupler for easy installation of optional moisture trap.
18. **Safety Door Interlocks:** Cabinet wired with safety door interlocks to prevent accidental blasting with door open.

Media Blast Gun

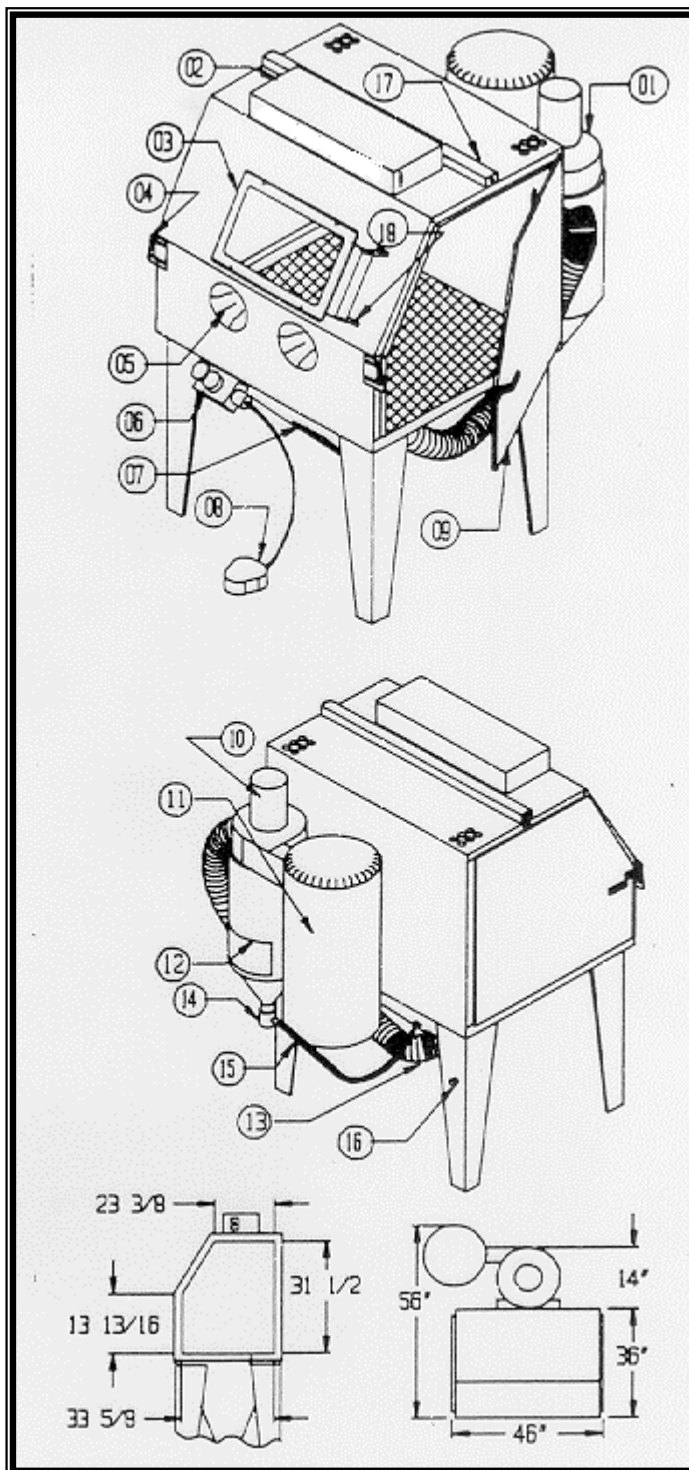
Lightweight aluminum pistol grip for long life.
 Interchangeable air jets and nozzles for various air supplies and media flow.
 5/32" air jet supplied as standard.
 Other air jets and nozzles supplied upon request.

Cabinet Fabrication

Heavy 14 and 11 gauge welded steel construction. Two coats of industrial quality paint.

Packing and Shipping

Machine and Reclaimer secured on wood pallet for shipping, unit wrapped in clear plastic.



Media Gun Compressed Air Requirements

(CFM*)	Orifice / Nozzle	40 PSI	60 PSI	80 PSI
1/4" Nozzle - 1/8" Air Jet	#4	12*	17*	21*
5/16" Nozzle - 5/32" Air Jet	#5	19*	27*	34*
3/8" Nozzle - 3/16" Air Jet	#6	27*	37*	47*